



TecnoLógicas
ISSN: 0123-7799
ISSN: 2256-5337
tecnologicas@itm.edu.co
Instituto Tecnológico Metropolitano
Colombia

Characterization of Preliminary Breakdown Pulse Trains in Negative Cloud-To-Ground Flashes Recorded during A Rainy Season in The Bogota Savannah, Colombia

Granados, Camilo A.; Rojas, Herbert E.; Román, Francisco J.

Characterization of Preliminary Breakdown Pulse Trains in Negative Cloud-To-Ground Flashes Recorded during A Rainy Season in The Bogota Savannah, Colombia

TecnoLógicas, vol. 25, núm. 55, e2343, 2022

Instituto Tecnológico Metropolitano, Colombia

Disponible en: <https://www.redalyc.org/articulo.oa?id=344272383010>

DOI: <https://doi.org/10.22430/22565337.2343>



Esta obra está bajo una Licencia Creative Commons Atribución-NoComercial-CompartirIgual 4.0 Internacional.

Characterization of Preliminary Breakdown Pulse Trains in Negative Cloud-To-Ground Flashes Recorded during A Rainy Season in The Bogota Savannah, Colombia

Caracterización de trenes de descargas preliminares en rayos nube a tierra negativos registrados durante una temporada de lluvias en la Sabana de Bogotá, Colombia

Camilo A. Granados
Universidad Nacional de Colombia, Colombia
cagradadosv@unal.edu.co

DOI: <https://doi.org/10.22430/22565337.2343>
Redalyc: <https://www.redalyc.org/articulo.oa?id=344272383010>

 <https://orcid.org/0000-0002-0312-280X>

Herbert E. Rojas
Universidad Distrital Francisco José de Caldas, Colombia
herojasc@udistrital.edu.co

 <https://orcid.org/0000-0003-1253-6964>

Francisco J. Román
Universidad Nacional de Colombia, Colombia
fjromanc@unal.edu.co

 <https://orcid.org/0000-0001-9500-4060>

Recepción: 16 Marzo 2022
Aprobación: 21 Septiembre 2022
Publicación: 21 Noviembre 2022

ABSTRACT:

Lightning-generated electric field measurement is used to characterize cloud-to-ground (CG) flashes. Prior to the first return stroke (FRS), these signals sometimes exhibit a pulse train, known as preliminary breakdown pulses (PBP), whose study provides information about the first event that originate the breakdown process inside the cloud. Considering that characteristics of PBPs may change according to geographical conditions, in this work, six parameters (temporal and magnitude) associated with 69 trains identified in negative CG flashes that occurred in the Bogota savannah, Colombia were analyzed. The signatures were recorded in 2017 using a fast response antenna (10 MHz bandwidth), a 100 ns sampling time and a window of 500 ms. Among the most relevant results, it was found that the train duration (T_{PBP}) varied from 0.5 ms up to 5.2 ms with arithmetic mean (AM) of 1.74 ms, while the time interval between the peak of the train and the FRS (PBP-FRS) had an AM and a geometric mean (GM) of 35.7 ms and 10.2 ms, respectively. On the other hand, the ratio between the peak value of the PBP and its FRS (PBP_{MAX}/FRS_M) exhibited an AM of 0.7 and a GM of 0.56. It was concluded that PBP train starts with low amplitude pulses, later increases its magnitude in the central region and decreases at the end. Furthermore, bipolar pulses with similar polarity to that of the FRS were identified at the beginning and in the middle of the train, while unipolar pulses were observed at the end of the signatures.

KEYWORDS: Pulse amplitude, return stroke, electric field measurement, preliminary breakdown pulses, cloud-to-ground lightning.

RESUMEN:

La medición del campo eléctrico generado por rayos es comúnmente usada para caracterizar rayos nube-tierra (CG). Previo a la primera descarga de retorno (FRS), estas señales exhiben algunas veces un tren de pulsos conocido como pulsos de descargas preliminares (PBP), cuyo estudio proporciona información sobre el primer evento que origina el proceso de descarga dentro de la nube. Considerando que las características de los PBP pueden cambiar de acuerdo con las condiciones geográficas, en este trabajo se analizaron seis parámetros (temporales y de magnitud) asociados a 69 trenes identificados en rayos CG negativos ocurridos en la Sabana de Bogotá, Colombia. Las señales se registraron en 2017 usando una antena de respuesta rápida (ancho de banda de 10 MHz), un tiempo de muestreo de 100 ns y una ventana de 500 ms. Dentro de los resultados más relevantes se encontró que

la duración del tren (T_{PBP}) varió entre 0.5 ms y 5.2 ms con una media aritmética (AM) de 1.74 ms, mientras el tiempo entre el pico del tren y el FRS (PBP-FRS) tuvo una AM y una media geométrica (GM) de 35.7 ms y 10.2 ms, respectivamente. Por su parte, la relación entre el pico del PBP y su FRS (PBP_{MAX}/FRS_M) exhibió una AM de 0.7 y una GM de 0.56. Se concluye que el tren comienza con pulsos de baja amplitud, aumenta su magnitud en la región central y disminuye al final. Adicionalmente, se identificaron pulsos bipolares con polaridad similar a la FRS al principio y en la mitad del tren, mientras pulsos unipolares fueron observados al final de las señales.

PALABRAS CLAVE: Amplitud del pulso, descarga de retorno, medición del campo eléctrico, pulsos de descargas preliminares, rayos nube-tierra.

1. INTRODUCTION

Lightning flashes are created habitually in the clouds during the Cumulonimbus formation, they are also generated by other natural phenomena such as volcanic eruptions. These electric discharges are related to a transference of positive or negative charge between cloud-to-cloud (CC), cloud-to-ground (CG), cloud-to-air, or cloud-to-ionosphere [1]. According to the direction in which the charges move and their polarity, the CG lightning flashes are divided into four types: negative downward (-CG), negative upward (-GC), positive downward (+CG) and positive upward (+GC) [2]. The lightning discharge process can be studied by the electric field change observation. These studies have shown that negative CG lightning flashes represent more than 90 % of global discharges, while 10 % or less are positives. However, the positive discharges are responsible for more damage than negative ones, causing death and injuries in humans and animals, forest fires, blackouts, contingencies in transmission power systems, etc. [3].

From research conducted in different regions of the world, scientists agree on the following six stages (or events) related with the formation of CG lightning flashes: train pulses of preliminary discharges, stepped leader (SL), attachment process (AP), first return stroke (FRS), dart leader (DL) and subsequent return stroke (SRS), although these last two can be repeated several times in the same flash. From the stages presented above the most studied, have been the return stroke discharges, while the least researched are the preliminary discharges [4], [5].

The electric field changes related with FRS and SRS in CG flashes have been analyzed and reported by many researchers in different regions [5], [6], including Colombia [7]-[9].

However, in several works it has been noticed that the FRS is sometimes preceded by a train of bipolar pulses lasting up to 1 ms [10], [11]. In addition, some researchers have observed preliminary breakdown pulses (PBP) grouped in a train whose duration can be greater than 30 ms [12]. These trains, called by other authors as initial breakdown pulses, may provide valuable information concerning the first event that led the electrical breakdown inside the clouds [13]. In fact, differences in the features of the PBP trains could indicate differences in the initial breakdown process inside the clouds. This condition justifies the development of new measurement seasons in different regions of the world.

After to study many electric field signatures produced by PBP, Clarence and Malan proposed the “BIL” model to characterize the waveform before the FRS [10]. This model includes a preliminary breakdown stage (B), an intermediate stage (I) and the stepped leader stage (L). These authors also suggested that the B stage is the result of the vertical discharge between the main negative charge center and the lower positive charge region inside the thundercloud. In their research, they found that the total duration of the preliminary breakdown process can be between 2 ms and 10 ms [10], [12].

In the last decade, several studies about the characteristics of PBP have been conducted in Europe, Asia, USA and Brazil [12], [13]–[17]. Most part of these works have been focused on the analysis of the pulse train duration (T_{PBP}), the number of the pulses in the train and the ratio of the electric field peak value of the largest pulse in the train and the corresponding first return stroke (PBP_{MAX}/FRS_M). In addition, some comparisons between the statistics obtained in Malaysia and Sri Lanka and those obtained in Sweden, Florida

and Finland, show that the strength of the ratio PBP_{MAX}/FRS_M is larger at high latitudes compared to that of the tropical regions [12], [14] - [16].

Although these results have expanded the knowledge of the initial breakdown process, the data available on PBP from tropical thunderclouds is scarce, and there is a need to gather more data from tropical thunderclouds [12]. In this context, this paper presents a statistical characterization of the PBP prior to the FRS observed in a set of lightning-generated electric field (LEF) signatures recorded in Bogota, Colombia (tropical region with altitude of 2550 meters). To the best of the knowledge, this is the first study in Colombia where the preliminary breakdown stage has been analyzed.

The paper continues as follows: section 2 describes the characteristics of system used in Bogota Savannah to measure the lightning-generated electric field signatures. It also summarizes the main features of the data set analyzed. A description of the experimental methodology is presented in section 3. Section 4 presents the results obtained from the characterization of several PBP signatures. To achieve this, the following parameters (temporal and magnitude) were used: pulse train duration (T_{PBP}), time interval between the largest peak of the PBP train and the FRS ($PBP-FRS$), ratio between the peak value of the PBP and its FRS (PBP_{MAX}/FRS_M), interpulse time (IPT), number of individual pulses and individual pulse duration (T_{PULSE}). Finally, several conclusions and some future works are mentioned in Section 5.

2. METHODOLOGY

2.1 Instrumentation and data

During more than three decades, the measuring systems used around the world to capture lightning-generated electric field signatures have been composed by the same stages and they have similar technical characteristics [12], [18]. Usually, the experimental configuration used to measure LEF is composed of an electric field antenna, an electronic circuit, several coaxial cables and a recording equipment. In this way, the measuring system used during the measuring campaign is shown in Figure 1.

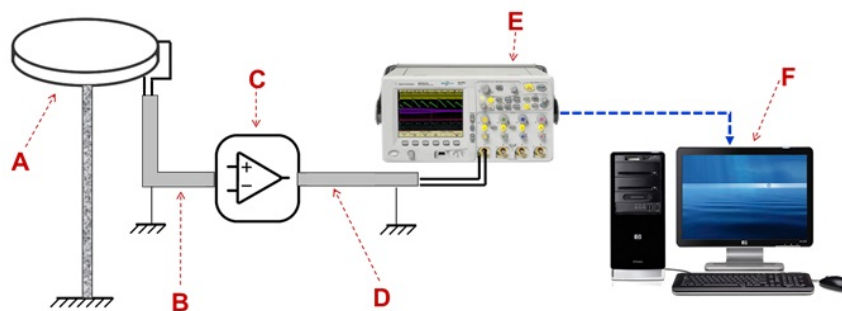


FIGURE 1.

Configuration of the measuring system. (A) antenna; (B) short coaxial cable RG58U; (C) electronic circuit; (D) long coaxial cable RG58U; (E) digital oscilloscope (Agilent DSO6104A)

Source: Created by the authors.

The measuring system presented in Figure 1 consists of a parallel-plate antenna, an electronic circuit based on the buffer BUF602 and a digital oscilloscope. The antenna is made up of two circular plates with a diameter of 0.45 m, a separation between plates of 0.03 m and it was installed using a 1.5 m steel mast. For the connection, two coaxial cables RG-58/U (surge impedance of 50Ω) were used. A 0.5 m long simple shielding cable was connected between the antenna and the circuit, while a 12 m long cable was installed between the

circuit and the oscilloscope. This cable had simple shielding plus a metal shell, and it was properly terminated to avoid reflections.

The oscilloscope has a bandwidth of 1 GHz and for the acquisition of signatures a desktop computer (4-core processor; 4 GB RAM memory and 320 GB Hard Drive) was connected through its LAN port.

The diagrams of the parallel-plate antenna and its equivalent circuit are shown in Figure 2(a) and Figure 2(b), respectively. In these figures, E_n is the vertical component of the electric field, V_g is the voltage of the antenna, C_g is the capacitance of the antenna, C_c is the capacitance of the short coaxial cable, R_1 is the input resistance (coupling) between the cable and the electronic circuit, C is the coupling capacitance of the electronic circuit, R is the input resistance that controls the decay-time of the circuit ($\tau_d=38\text{ ms}$) and V_m is the input measured voltage (before the buffer-amplifier). It is important to mention that the BUF602 (1000 MHz bandwidth and $8\text{ kV}/\mu\text{s}$ growth rate) was proposed as a new alternative for the typical buffer LH0033 (100 MHz bandwidth and $1.5\text{ kV}/\mu\text{s}$ growth rate) because its production was suspended since 2008. A complete description of the electronic circuit and the measuring system can be reviewed in [19].

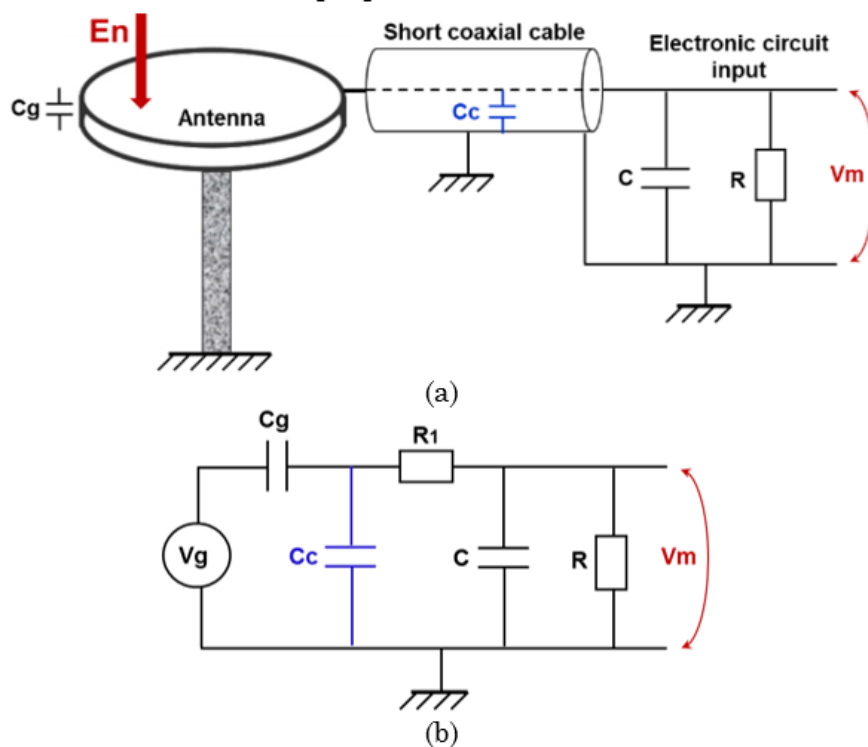


FIGURE 2. Parallel-plate antenna. (a) scheme including the electronic circuit; (b) equivalent circuit

Source: Created by the authors

For the acquisition process, the oscilloscope was set to operate at a sampling rate of 100 ns, using a total observation window of 500 ms. In addition, the vertical trigger was adjusted to capture transient signals with positive or negative polarity whose magnitude exceeded $6\text{ V}/\text{m}$ (or 150 mV) and the pre-trigger time was set to 250 ms. The parallel-plate antenna and the electronic circuit were located on the roof of five-story building of the Camilo Torres complex at the Bogota campus of the Universidad Nacional de Colombia (4.641° N , 74.091° W and 2550 meters above sea level). The approximate height between the ground plane and the roof of the building is 15 meters. The recording equipment was located in an office belonging to the EMC-UNC research group.

The electric field signatures generated by PBP were acquired from three thunderstorms during 2017 (15th and 16th November and 1st December). During the measuring campaign 363 negative CG flashes were

registered. These events occurred in the central region of Colombia (Andean region) inside an area with a radius of 250 km from the measuring system. From this data set, the PBP trains were detected in 69 electric field signatures (19 %).

2.2 Characterization of PBP train

The methodology applied to characterize the PBP trains it was chosen after an extensive bibliographic review (articles, case studies, books, etc.). The criteria selected for the characterization are similar to those used by [12], [13], [17], [18], [20], among others. In this way, the criteria employed for analyze the waveforms of the PBP trains are defined as follows:

- Only are characterized pulses whose peak-to-peak value exceeds twice the average noise level of the electric field.
- The pulses belong to the same PBP train if the separation between them is less than 2 ms.
- Only PBP trains with at least three pulses are characterized.

Figure 3(a) shows an electric field signature produced by a negative *CG* flash recorded in Colombia on November 16, 2017, at 18:01:57. In Figure 3(b) it is possible to identify the PBP train and the FRS. To describe each PBP train six parameters were selected: pulse train duration (T_{PBP}), time between the largest peak of the PBP train and the FRS ($PBP-FRS$), ratio between the peak value of the PBP and its FRS (PBP_{MAX}/FRS_M), interpulse time (IPT), number of individual pulses and individual pulse duration (T_{PULSE}) [12], [17].

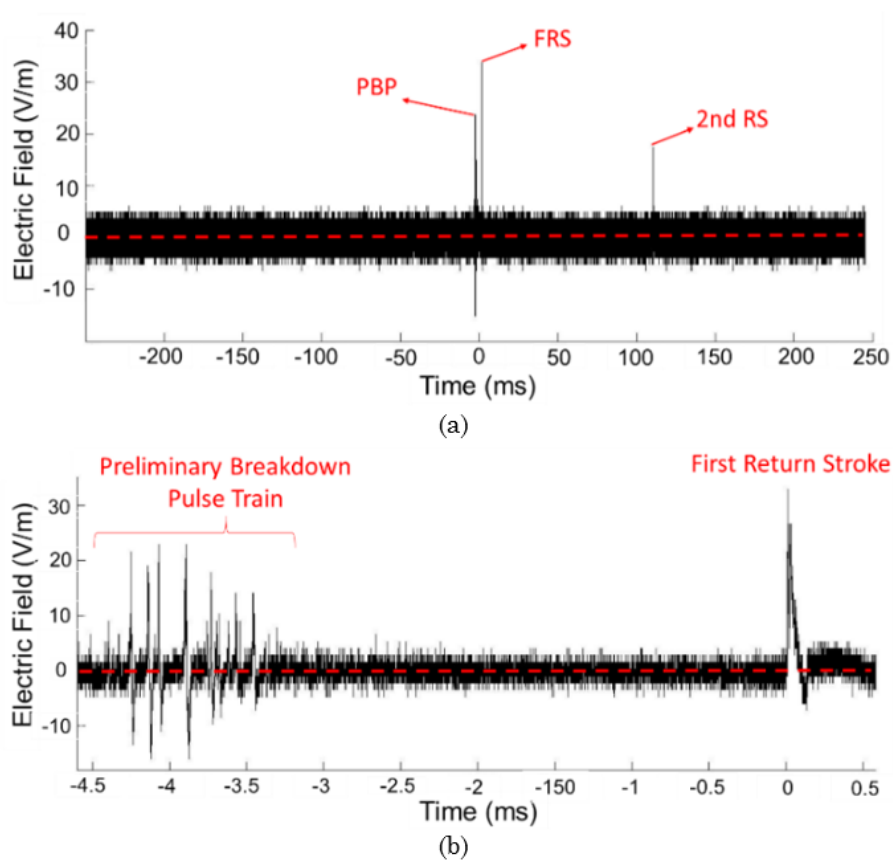


FIGURE 3.

Electric field signature produced by a negative CG flash. (a) Complete signature including PBP, FRS and second RS; (b) zoom on PBP train and the FRS

Source: Created by the authors

The graphical identification of the above-mentioned parameters (temporal and magnitude) is shown in Figure 4. The variables used to estimate several parameters of the train are: (a) the reference electric field (E_{REF}); (b) the electric field of the highest pulse in the train (E_{pm}); (c) the time in which the highest pulse is presented (t_{pm}); (d) the electric field peak value of the FRS (E_{FRS}) and; (e) the time in which the E_{FRS} was occurred (t_{FRS}).

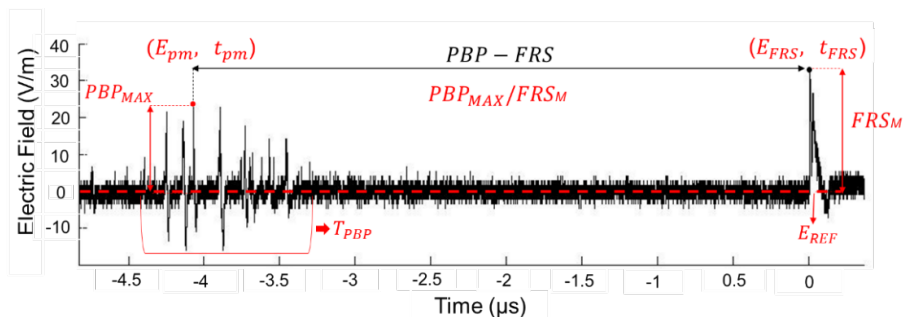


FIGURE 4.

Parameters identified in the pulse train ($PBP-FRS$, PBP_{MAX}/FRS_M and $TPBP$)

Source: Created by the authors

In addition, for the parameter T_{PULSE} (see Figure 5) the variables used for its estimation in each individual pulse are the initial time of the pulse (t_0), the zero-crossing time after the peak value (t_{ZC}) and the final time (t_f). It is important to mention that t_{ZC} is detectable only in bipolar pulses.

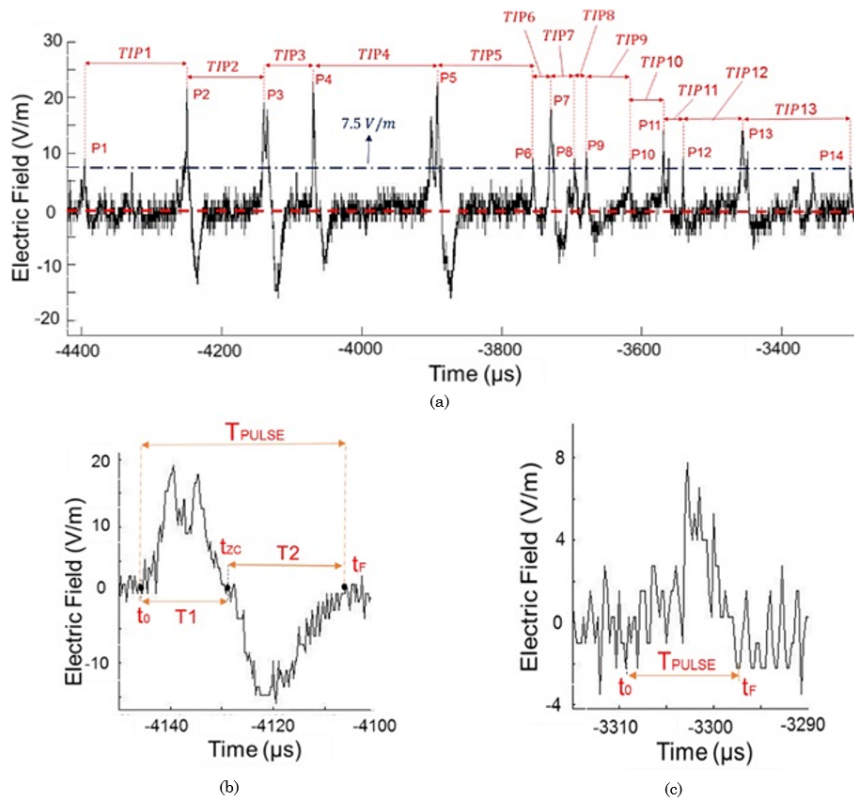


FIGURE 5.

Parameters identified in the PBP signature showed in Figure 3. (a) number of individual pulses per train and IPT ; (b) T_{PULSE} for bipolar pulse; (c) T_{PULSE} for unipolar pulse

Source: Created by the authors

To extend the definitions used for the parameter estimation, and their relation with the variables mentioned in this section, Table 1 and Table 2 summarize the mathematical expressions applied to calculate the parameters of the PBP. In addition, these expressions are shown graphically in Figure 5.

TABLE 1.
Mathematical expressions of parameters PBP_{MAX}/FRS_M and $PBP-FRS$

Type	Parameter	Equation
Temporal	PBP_{max}/FRS_M	$(E_{pm} - E_{REF}) / (E_{FRS} - E_{REF})$
Magnitude	$PBP-FRS$	$(t_{FRS} - t_{pm})$

Source: Created by the authors

TABLE 2.
Mathematical expressions of parameter T_{PULSE}

Type	Parameter	Equation	
		Bipolar	Unipolar
Temporal	$T1$	$t_{ZC} - T_0$	----
	$T2$	$t_f - ZC$	----
	T_{PULSE}	$T1 + T2$	$t_{ZC} - t_f$

Source: Created by the authors

Analyzing the electric field waveform shown in Figure 4 the following points were identified: $E_{pm} = 22.6 V/m$, $E_{FRS} = 32.8 V/m$, $E_{REF} = 0.26 V/m$, $t_{FRS} = 0 ms$ and $t_{pm} = 4.1 ms$.

The value E_{REF} is the background electric field. This value is different for each signature due to the DC level presents in the electric field signals. Therefore, using the equations presented in Table 1, the parameters PBP_{MAX}/FRS_M and $PBP-FRS$ (see Figure 4) were 0.7 ms and 4.1 ms, respectively. In addition, the complete PBP train duration is 1.1 ms.

On the other hand, Figure 5(a) shows that the PBP train has 14 pulses and 13 IPT. In addition, it can be seen the electric field level (blue dotted line) used to classify the pulses that will be characterized in each signature (7.5 V/m). This level corresponds to twice the average noise level in the characterized waveforms (criterion A). Figure 5(b) and Figure 5(c) show the method used to characterize the temporal parameter T_{PULSE} in bipolar and unipolar pulses, respectively. In Figure 5(b), T_{PULSE} is obtained from the addition of $T1$ and $T2$, while in Figure 5(c) this parameter is achieved from the difference between t_0 and t_f .

3. RESULTS AND DISCUSSION

The PBP trains were characterized including the number of samples, the minimum (Min) and maximum (Max) values, the arithmetic mean (AM) and the geometric mean (GM) for each parameter. Table 3 presents the statistical results for the PBP signatures analyzed in this work. In this case, the column “Samples” has no units and it is related to the number of electric field signatures where each parameter was identified. Meanwhile, the Min, Max, AM and GM columns have the units indicated next to the parameter mentioned in the left column.

TABLE 3.
Statistical results of PBP trains

Parameter	Samples	Min	Max	AM	GM
T_{PBP} (ms)	69	0.5	5.2	1.74	1.46
PBP-FRS (ms)	69	0.7	298.6	35.67	10.24
PEPmax/FRS	69	0.2	3.5	0.70	0.56
Pulses per train	1019	3.0	44.0	14.77	11.85
IPT (μs)	950	2.3	1950	125.68	74.26
T_{PULSE} (μs)	1019	1.0	83.8	17.19	11.86

Source: Created by the authors

Regarding the statistical results, they are presented using histograms in Figure 6. In addition, comparison with several regions such as Sweden and Sri Lanka [14], Florida [12], [21], [22], [23], Finland [13] and

Malaysia [12] are presented. In all cases, the number of samples analyzed in this study (69 PBP trains) is higher than that used in the previous works (35 in Florida-2008, 12 in Florida-2009 and 24 in Malaysia).

Figure 6(a) and Figure 6(b) show the behavior of the train pulse duration and the PBP-FRS time, respectively. The distribution presented in Figure 6(a) shows that 32 signatures of 69 signatures (46.4 %) have a PBP train duration less or equal to 1.4 ms, while the remaining waveforms (37) exhibited a duration between 1.4 and 5.2 ms. Although this range is similar to results obtained in Florida, 2008 (0.8 ms – 7.9 ms) and 2009 (0.8 ms – 7.9 ms), the AM and the GM in this study (1.74 ms and 1.46 ms) are lower than those reported in Florida-2008 (2.7 ms and 2.3 ms), Florida-2009 (3.4 ms and 3.2 ms) and Malaysia (12.3 ms and 10.1 ms). A possible reason for this difference may be due to the differing meteorological conditions, region, and latitude effect.

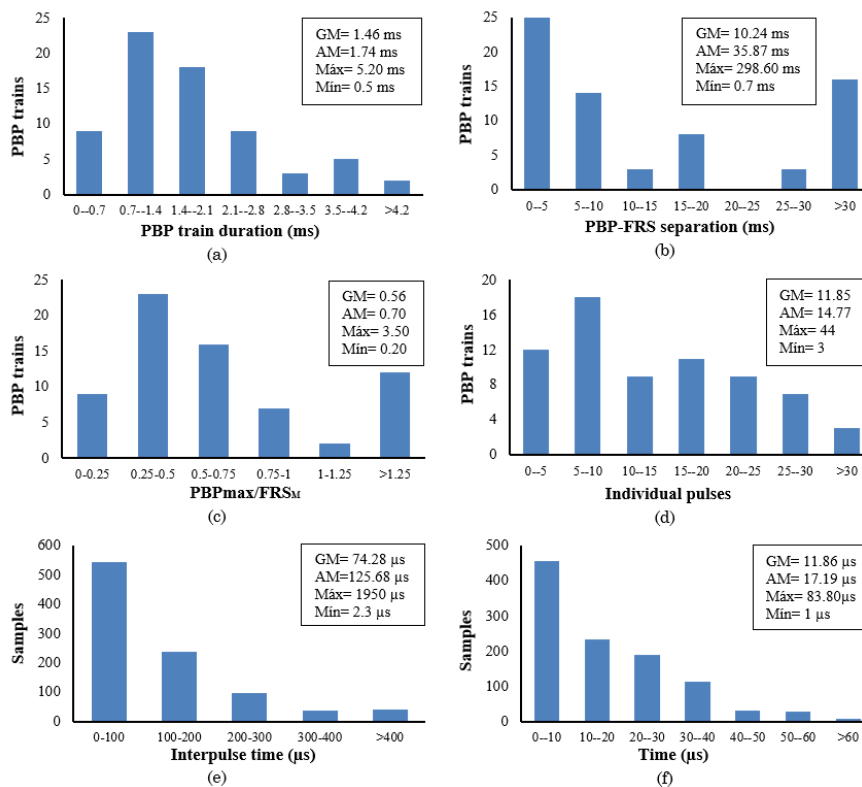


FIGURE 6.

Statistical distribution for each parameter. (a) PBP train duration; (b) PBP-FRS separation; (c) PBP_{MAX}/FRS_M ratio; (d) individual pulses per train; (e) interpulse time (IPT); (f) individual pulse duration

Source: Created by the authors

On the other hand, in Figure 6(b) it can be seen that the parameter PBP-FRS presents individual values ranged from 0.7 ms up to 298.6 ms (min and max values). This range is similar to that reported by Baharudin *et al.* for Malaysia (8.3 ms – 227.3 ms). In Colombia, the AM was 35.87 ms. The corresponding value in Malaysia is greater by a factor of 1.6 (57.6 ms), while in Florida-2012, Sweden and Sri Lanka the means observed were 22 ms, 13.8 ms and 11.9 ms, respectively. Additionally, the histogram in Figure 6(b) shows that 39 flashes (56.5 %) present a PBP-FRS separation less than 10 ms, while 16 signatures (23.2 %) have durations greater than 30 ms. This behavior is similar to the distribution of PBP-FRS separation observed in Florida [12].

The distributions for the ratio PBP_{MAX}/FRS_M and the number of pulses per train are shown in Figure 6(c) and Figure 6(d), respectively. It can be seen in Table 3 that the minimum and maximum values for PBP_{MAX}/FRS_M are 0.2 and 3.5 respectively, with an AM of 0.7 and a GM of 0.56. Comparing with

Malaysia (AM=0.28 and GM=0.15), Florida-2012 (AM=0.29 and GM=0.22) and Sri Lanka (AM=0.17 and GM=0.15) the means in Colombia are greater by a factor of 2.5 or above. However, regarding the AM similar results were observed in Florida-2009 (0.62) and Finland (0.61). The histogram in Figure 6(c) reveals that 55 signatures (79.7 %) have a PBP_{MAX}/FRS_M in a range less than 1.0, while 14 flashes (20.3 %) show magnitude ratios between 1.0 and 3.5. This is relevant due to Baharudin *et al.* reported in Florida and Malaysia that the PB pulses exceeds the FRS amplitude in less than 10 % of the cases. Nevertheless, in the three regions most part of PBP trains have pulses whose magnitude is equal to or less than that of the FRS.

According to Figure 6(d), it can be seen that the number of individual pulses per train has a GM and AM of 11.9 and 14.7, respectively. This value for the AM is higher than reported in Florida by Rakov *et al.* (10 pulses per train) [23]. For this study, the analysis of the signatures revealed preliminary breakdown stages with a minimum of 3 and a maximum of 44 pulses per train. The distribution shows that 39 (56.5 %) CG flashes have between 3 and 15 pulses. In addition, it can be seen that only 3 signatures (4.3 %) present more than 30 pulses.

The statistical distribution for IPT is depicted in Figure 6(e). It was found that 542 (57 %) intervals between pulses present a value less than 100 ms, while 39 intervals (4.1 %) have a duration great that 400 ms. Moreover, it can be seen that IPTs exhibited a GM and AM of 74.28 ms and 125.68 ms, respectively. Comparing with other studies, the AM is similar to those obtained in Florida-1996 (130 ms) [23] and Sri Lanka (144 ms). The range variation of this parameter was between 2.3 ms and 1950 ms (max and min values), which is slightly higher than reported in Florida-2009 (0.6 ms – 1585 ms) and similar to that observed in Malaysia (1 – 1908 ms). Finally, Figure 6(f) shows the statistical results for T_{PULSE} . This parameter presents an AM of 17.19 μ s and a GM of 11.86 μ s. The minimum value of T_{PULSE} was 1 μ s, while the maximum was 83.8 μ s. The histogram reveals that major part of pulses (690 % or 65.1 %) have a duration in a range between 1 and 20 μ s, while 8 pulses (0.7 %) exhibited values greater than 60 μ s.

4. CONCLUSIONS

In this study, the analysis and characterization of 69 electric field signatures produced by PBP trains preceding the FRS in negative CG lightning flashes occurred in Bogota Savannah (Colombia) was performed. Waveforms of 1019 pulses were analyzed, and the following characteristics were found: (a) bipolar pulses at the beginning and in the middle of the train; (b) unipolar pulses at the end of the signatures; (c) the PBP train starts with small pulses, continues with pulses of greater amplitude, and ends with pulses of lower magnitude; (d) the initial polarity in bipolar pulses is similar than that of the FRS.

The statistics results obtained from the data set show that the duration of the pulse trains has an AM of about 1.7 ms, with individual values from 0.5 ms up to 5.2 ms (maximum and minimum values). On the other hand, the temporal parameter PBP -FRS presents an AM of 35.87 ms, with maximum and minimum values of 0.7 ms and 298.6 ms, respectively. Other temporal parameters as the interpulse time and the individual pulse duration showed an AM of 125.68 μ s and 17.19 μ s, whit a geometric mean of 74.3 μ s and 11.9 μ s, respectively. The magnitude ratio PBP_{MAX}/FRS_M has a GM of 0.56 and individual values from 0.2 up to 3.5. Finally, the number of pulses per train presents an AM and GM of 14.7 and 11.8 respectively, with maximum and minimum values of 3 to 44 pulses per PBP train.

The results obtained from this study (Bogota Savannah, Colombia) and those obtained earlier in other regions (Sri Lanka, Malaysia, Sweden, Finland and Florida) show a shorter train pulse duration with an average of 14.7 pulses per train. In contrast, the parameter PBP-FRS in Colombia is greater than Florida-2012, Sweden and Sri Lanka. Finally, the ratio PBP_{MAX}/FRS_M was greater than tropical and subtropical regions by a factor of 2.5 or above. A possible reason for these differences may be due to the meteorological conditions the latitude and the altitude effect. This must be considered because the Bogotá

savannah is located near to equator but at an altitude of 2550 meters above sea level. To verify this hypothesis, a further study with a larger data set must be conducted.

ACKNOWLEDGMENTS

The authors would like to thank Eng. Carlos Rivera from the EMC-UNC research group for his collaboration and support during the lightning measurement season. H.E. Rojas thanks the Faculty of Engineering of the Universidad Distrital for the financial support provided during the measurement campaign.

REFERENCES

- [1] B. Salimi, K. Mehrazamir, and Z. Abdul-Malek, "Statistical Analysis of Lightning Electric Field Measured Under Equatorial Region Condition," *Procedia Technology*, vol. 11, pp. 525–531, 2013, <https://doi.org/10.1016/j.protcy.2013.12.224>
- [2] M. A. Uman, *Lightning*. New York, USA, 2012. Available: <https://books.google.com.co/books?id=YdHhYaGjTbYC>. Accessed: Sep. 2022
- [3] C. Schumann, M. M. F. Saba, R. B. G. da Silva, and W. Schulz, "Electric fields changes produced by positives cloud-to-ground lightning flashes," *J. Atmos. Solar-Terrestrial Phys.*, vol. 92, pp. 37–42, 2013, <https://doi.org/10.1016/j.jastp.2012.09.008>
- [4] V. Rakov, "Characterization of lightning electromagnetic fields and their modeling," in *The International Conference on Electrical Engineering*, May 2008, vol. 6, no. 6, pp. 1–31, <https://doi.org/10.21608/iceeng.2008.34378>
- [5] V. A. Rakov and M. A. Uman, "Review and evaluation of lightning return stroke models including some aspects of their application," *IEEE Trans. Electromagn. Compat.*, vol. 40, no. 4 PART 2, pp. 403–426, 1998, <https://doi.org/10.1109/15.736202>
- [6] P. Hoole and S. Hoole, *Lightning Engineering: Physics, Computer-based Test-bed, Protection of Ground and Airborne Systems*, 1st edition. Cham: Springer International Publishing, 2022, <https://doi.org/10.1007/978-3-030-94728-6>
- [7] J. Herrera, C. Younes, and L. Porras, "Cloud-to-ground lightning activity in Colombia: A 14-year study using lightning location system data," *Atmos. Res.*, vol. 203, pp. 164–174, 2018, <https://doi.org/10.1016/j.atmosres.2017.12.009>
- [8] H. E. Rojas, A. S. Cruz, and C. A. Cortes, "Characteristics of electric field waveforms produced by negative return strokes in Colombia and their comparison with other regions," *J. Atmos. Solar-Terrestrial Phys.*, vol. 227, p. 105809, Jan. 2022, <https://doi.org/10.1016/j.jastp.2021.105809>
- [9] H. E. Rojas, H. D. Rojas, and C. A. Cortes, "Statistical analysis of negative cloud-to-ground lightning characteristics in Bogota, Colombia based on electric field measurements," *J. Atmos. Solar-Terrestrial Phys.*, vol. 227, p. 105798, Jan. 2022, <https://doi.org/10.1016/j.jastp.2021.105798>
- [10] N. D. Clarence and D. J. Malan, "Preliminary discharge processes in lightning flashes to ground," *Q. J. R. Meteorol. Soc.*, vol. 83, no. 356, pp. 161–172, Apr. 1957, <https://doi.org/10.1002/qj.49708335603>
- [11] N. Azlinda Ahmad *et al.*, "The first electric field pulse of cloud and cloud-to-ground lightning discharges," *J. Atmos. Solar-Terrestrial Phys.*, vol. 72, no. 2–3, pp. 143–150, Feb. 2010, <https://doi.org/10.1016/j.jastp.2009.11.001>
- [12] Z. A. Baharudin, N. A. Ahmad, M. Fernando, V. Cooray, and J. S. Mäkelä, "Comparative study on preliminary breakdown pulse trains observed in Johor, Malaysia and Florida, USA," *Atmos. Res.*, vol. 117, pp. 111–121, 2012, <https://doi.org/10.1016/j.atmosres.2012.01.012>

- [13] J. S. Mäkelä, N. Porjo, A. Mäkelä, T. Tuomi, and V. Cooray, "Properties of preliminary breakdown processes in Scandinavian lightning," *J. Atmos. Solar-Terrestrial Phys.*, vol. 70, no. 16, pp. 2041–2052, Dec. 2008, <https://doi.org/10.1016/j.jastp.2008.08.013>
- [14] C. Gomes, V. Cooray, and C. Jayaratne, "Comparison of preliminary breakdown pulses observed in Sweden and in Sri Lanka," *J. Atmos. Solar-Terrestrial Phys.*, vol. 60, no. 10, pp. 975–979, Jun. 1998, <https://doi.org/10.1016/j.jastp.2013.05.014>
- [15] V. Cooray and R. Jayaratne, "What directs a lightning flash towards ground?," *Sri Lankan J. Phys.*, vol. 1, p. 1-10, 2000, <https://doi.org/10.4038/sljp.v1i0.165>
- [16] F. J. Miranda, O. Pinto Jr., M. M. F. Saba, "Occurrence of characteristic pulses in positive ground lightning in Brazil," in *19th International Lightning Detection Conference*, Apr. 2006, pp. 1–6. [Online]. Available: <http://mtc-m16b.sid.inpe.br/col/sid.inpe.br/mtc-m17@80/2006/11.29.16.22/doc/Occurrence%20of%20characteristics.pdf>
- [17] T. Wu *et al.*, "Preliminary breakdown pulses of cloud-to-ground lightning in winter thunderstorms in Japan," *J Atmos Sol Terr Phys*, vol. 102, pp. 91–98, Sep. 2013, <https://doi.org/10.1016/j.jastp.2013.05.014>
- [18] Y. Zhang, Y. J. Zhang, W. T. Lu, and D. Zheng, "Analysis and comparison of initial breakdown pulses for positive cloud-to-ground flashes observed in Beijing and Guangzhou," *Atmos. Res.*, vol. 129–130, pp. 34–41, 2013, <https://doi.org/10.1016/j.atmosres.2013.03.006>
- [19] H. E. Rojas, C. A. Rivera, J. Chaves, C. A. Cortés, F. J. Román, and M. Fernando, "New circuit for the measurement of lightning generated electric fields," in *2017 International Symposium on Lightning Protection (XIV SIPDA)*, Oct. 2017, pp. 188–194. <https://doi.org/10.1109/SIPDA.2017.8116922>
- [20] D. Johari, V. Cooray, M. Rahman, P. Hettiarachchi, and M. Ismail, "Characteristics of Preliminary Breakdown Pulses in Positive Ground Flashes during Summer Thunderstorms in Sweden," *Atmosphere*, vol. 7, no. 3, pp. 1–18, Mar. 2016, <https://doi.org/10.3390/atmos7030039>
- [21] A. Nag and V. A. Rakov, "Pulse trains that are characteristic of preliminary breakdown in cloud-to-ground lightning but are not followed by return stroke pulses," *J. Geophys. Res. Atmos.*, vol. 113, no. 1, pp. 1–12, 2008, <https://doi.org/10.1029/2007JD008489>
- [22] A. Nag and V. A. Rakov, "Electric Field Pulse Trains Occurring Prior to the First Stroke in Negative Cloud-to-Ground Lightning," *IEEE Trans. Electromagn. Compat.*, vol. 51, no. 1, pp. 147–150, Feb. 2009, <https://doi.org/10.1109/TEMC.2008.2005488>
- [23] V. A. Rakov, M. A. Uman, G. R. Hoffman, M. W. Masters, and M. Brook, "Burst of pulses in lightning electromagnetic radiation: observations and implications for lightning test standards," *IEEE Trans. Electromagn. Compat.*, vol. 38, no. 2, pp. 156–164, May 1996, <https://doi.org/10.1109/15.494618>

NOTES

- CONFLICTS OF INTEREST

The authors declare no conflict of financial, professional, or personal interests that may inappropriately influence the results that were obtained or the interpretations that are proposed.

- AUTHOR CONTRIBUTIONS

All the authors are responsible for the integrity of data and the accuracy of the analysis.

Camilo A. Granados: leader of the measuring campaign, data collection, statistical analysis, figure design and writing of the first draft.

Herbert E. Rojas: methodological design, proposal of statistical methods, modification of the paper structure, statistical analysis, writing second and third version of the paper, review and constructive comments.

Francisco J. Román: definition of the scope of the paper, review and constructive comments.

INFORMACIÓN ADICIONAL

How to cite / Cómo citar: C. A. Granados, H. E. Rojas, F. J. Román, “Characterization of Preliminary Breakdown Pulse Trains in Negative Cloud-To-Ground Flashes Recorded during A Rainy Season in The Bogota Savannah, Colombia,” *TecnoLógicas*, vol. 25, nro. 55, e2343, 2022. <https://doi.org/10.22430/22565337.2343>