



Brazilian Journal of Physics

ISSN: 0103-9733

luizno.bjp@gmail.com

Sociedade Brasileira de Física
Brasil

Korotkikh, Victor

Integers: irreducible guides in the search for a unified theory

Brazilian Journal of Physics, vol. 35, núm. 2B, junio, 2005, pp. 509-515

Sociedade Brasileira de Física

São Paulo, Brasil

Available in: <http://www.redalyc.org/articulo.oa?id=46415793024>

- How to cite
- Complete issue
- More information about this article
- Journal's homepage in redalyc.org

redalyc.org

Scientific Information System

Network of Scientific Journals from Latin America, the Caribbean, Spain and Portugal

Non-profit academic project, developed under the open access initiative

Integers: Irreducible Guides in the Search for a Unified Theory

Victor Korotkikh

Central Queensland University, Mackay, Queensland, Australia

Received on 16 December, 2004

The notion of final theory results from a contrasting understanding of physical reality. Currently, different approaches aim to unify the four forces of nature and discuss whether a final theory may be possible. A key feature of a final theory is irreducibility, however this property has not been seriously exploited. In the paper we present an irreducible mathematical theory that describes physical systems in terms of formation processes of integer relations. The theory has integers and integer relations as the basic elements and is irreducible, because the formation processes are completely controlled by arithmetic. We suggest properties of the formation processes as irreducible guides in the search for a unified theory.

1 Introduction

The notion of final theory results from a contrasting understanding of physical reality [1]. It relies on beliefs that the most fundamental laws of physics exist and their discovery can be acknowledged. A key feature of a final theory is irreducibility. It must be based on principles that cannot be explained in terms of deeper principles [1]. Currently, different approaches aim to unify the four forces of nature and discuss whether a final theory may be possible [2], [3]. Because the problem is very challenging, technically the irreducibility of a unified theory is not an immediate priority and has not been seriously exploited.

However, a description of physical systems in irreducible terms may reveal a new understanding and opportunities. In particular, the existing approaches will continue to progress from physical observations towards unified theories, but they may be reviewed and improved by guiding through an irreducible theory not necessarily dealing with the forces from the start.

The question arises: where such an irreducible theory may come from? In the paper we address the question and present an irreducible mathematical theory that describes physical systems in terms of formation processes of integer relations. In particular, the theory has the integers and certain integer relations as the basic elements and interprets the relationships between them as a result of their formation processes. The formation processes start with the integers and are completely controlled by arithmetic through a single organizing principle [4]. Consequently, the theory is irreducible as long as the integers are accepted as the most fundamental entities.

We present that the formation processes build up correlation structures of physical systems and determine their properties [5], [6]. As a result the correlations do not take into account the distances between the parts of a physical systems and are nonlocal, instantaneous and inseparable in nature. Furthermore, it turns out that it is possible to geometrize the

integer relations as two-dimensional patterns and characterize the formation processes in terms of their geometric transformations [4]. This makes the theory of formation processes geometrical and quantitative.

2 Correlations Conserving Quantities of Physical Systems

We approach physical systems from a general perspective. In particular, the dynamics of a physical system is considered in order to understand correlations between the parts. For this purpose we describe a physical system by its certain quantities and are interested to know how many of them remain invariant as the system evolves from one state to another [4].

Let I be an integer alphabet and $I_N = \{x = x_1 \dots x_N, x_i \in I, i = 1, \dots, N\}$ be the set of all sequences of length $N \geq 2$ with symbols in I . Let us consider a physical system consisting of N elementary parts. Let the state of elementary part i be specified by a variable $x_i \in I, i = 1, \dots, N$ and the state of the whole physical system by a sequence $x = x_1 \dots x_N$. Let information about a physical system be given as long as it is known that the system made transition from a state $x = x_1 \dots x_N$ to another state $x' = x'_1 \dots x'_N$.

We consider a geometric representation of sequences by using piecewise constant functions. Let $\delta > 0$ and $\varepsilon > 0$ be length scales of a two-dimensional lattice. Let $\rho_{m\delta\varepsilon} : x \rightarrow g$ be a mapping that realizes the geometric representation of a sequence $x = x_1 \dots x_N \in I_N$ by associating it with a function $g \in W_{\delta\varepsilon}[t_m, t_{m+N}]$, denoted $g = \rho_{m\delta\varepsilon}(x)$, such that the function g is constant on $(t_{i-1}, t_i]$, $i = m+1, \dots, m+N$, equals $g(t_m) = x_1\delta$, $g(t) = x_i\delta$, $t \in (t_{m+i-1}, t_{m+i}]$, $i = 1, \dots, N$, $t_i = i\varepsilon$, $i = m, \dots, m+N$ and whose integrals satisfy $g^{[k]}(t_m) = 0$, $k = 1, 2, \dots$, where m is an integer. The sequence $x = x_1 \dots x_N$ is called a code of the function g and denoted by $c(g)$.

We use the geometric representation to characterize a state $x = x_1 \dots x_N \in I_N$ of a physical system in terms of

the definite integrals [4]

$$V_{\delta\varepsilon}(x, k) = g^{[k]}(t_{m+N}) = \int_{t_m}^{t_{m+N}} g^{[k-1]}(t)dt \quad (1)$$

of a function $g = \rho_{m\delta\varepsilon}(x) \in W_{\delta\varepsilon}[t_m, t_{m+N}]$, where $g^{[0]} = g$ and $k \geq 1$. The definite integrals use information about the states $x_i, i = 1, \dots, N$ of the elementary parts and thus can be viewed as quantities of the physical system in the state $x = x_1 \dots x_N$.

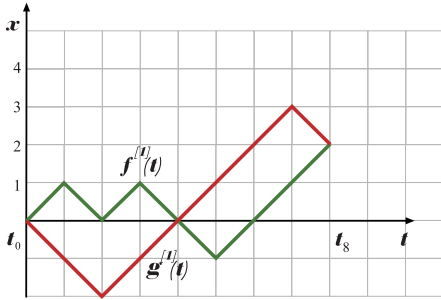


Figure 1. The figure shows that for states $x = -1 - 1 + 1 + 1 + 1 + 1 + 1 - 1$ and $x' = +1 - 1 + 1 - 1 - 1 + 1 + 1 + 1 + 1$ we have $V_{\delta\varepsilon}(x, 1) = V_{\delta\varepsilon}(x', 1)$, because $g^{[1]}(t_8) = f^{[1]}(t_8)$, where $g = \rho_{m\delta\varepsilon}(x)$, $f = \rho_{m\delta\varepsilon}(x')$ and $m = 0, \delta = 1, \varepsilon = 1$.

We describe a physical system by the quantities (1) and are concerned with how many of them remain invariant as the system evolves from one state to another. In particular, as a physical system makes transition from a state $x = x_1 \dots x_N$ to a state $x' = x'_1 \dots x'_N$ we are interested to know how many of the quantities are conserved [4]

$$V_{\delta\varepsilon}(x, k) = V_{\delta\varepsilon}(x', k), \quad k = 1, \dots, C(x, x'), \quad (2)$$

$$V_{\delta\varepsilon}(x, C(x, x') + 1) \neq V_{\delta\varepsilon}(x', C(x, x') + 1), \quad (3)$$

where $V_{\delta\varepsilon}(x, k) = g^{[k]}(t_{m+N})$, $V_{\delta\varepsilon}(x', k) = f^{[k]}(t_{m+N})$, $k = 1, \dots, C(x, x') + 1$ and $g = \rho_{m\delta\varepsilon}(x)$, $f = \rho_{m\delta\varepsilon}(x')$.

The conditions (2) and (3) say that states x and x' are the same in terms of the first $C(x, x') \geq 1$ quantities. But the states x and x' are distinct, as they have different values of the $(C(x, x') + 1)$ th quantity. We consider the conservation of the quantities (2) as a consequence of correlations between the parts of the physical system. To illustrate the notion of the correlations we consider two states of a physical system $x = -1 - 1 + 1 + 1 + 1 + 1 + 1 - 1$ and $x' = +1 - 1 + 1 - 1 - 1 + 1 + 1 + 1$. In this case $V_{\delta\varepsilon}(x, 1) = V_{\delta\varepsilon}(x', 1)$, $V_{\delta\varepsilon}(x, 2) = V_{\delta\varepsilon}(x', 2)$, $V_{\delta\varepsilon}(x, 3) \neq V_{\delta\varepsilon}(x', 3)$ and $C(x, x') = 2$ (see Figures 1 and 2).

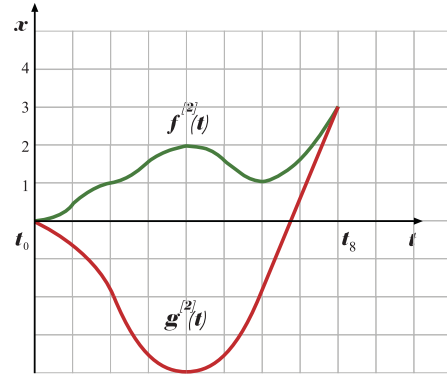


Figure 2. The figure shows that for the states x and x' we also have $V_{\delta\varepsilon}(x, 2) = V_{\delta\varepsilon}(x', 2)$, because $g^{[2]}(t_8) = f^{[2]}(t_8)$.

The sequences x and x' do not have obvious regularities and may be even seen as initial segments of random sequences. However, it is interesting to find out how the elementary parts change in order to conserve the two quantities of the physical system as it moves from the state x to the state x' . The changes can be written as a sequence $x'' = x''_1 \dots x''_8$, where $x''_i = \Delta x_i = x'_i - x_i, i = 1, \dots, 8$. We have $x'' = +2 \ 0 \ 0 -2 -2 \ 0 \ 0 +2$. Figure 3 shows the graph of a function $h = \rho_{011}(x'')$. The symmetry of the graph visualizes that the changes of the elementary parts are collectively correlated. It is worth noting that the conservation of the two quantities is connected with the symmetry.

3 Conserving Correlations as a System of Linear Equations

In section 2 we considered a notion of correlations conserving quantities (1) of a physical system. We are interested to understand the correlations and identify what may connect the parts of a physical system so that a set of the quantities remain invariant.

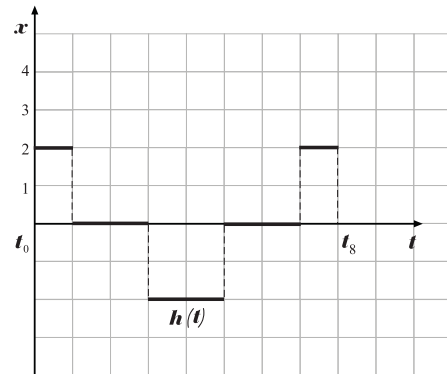


Figure 3. The symmetry of the graph shows that the changes $\Delta x_i, i = 1, \dots, 8$ of the elementary parts are collectively correlated in order to conserve the two quantities of the physical system.

In this section we present that the conditions (2) and (3) can be reduced to a system of linear equations and an inequality [4]. An integer code series [7] plays the key role in the reduction, because it represents an integral of a piecewise constant function $g \in W_{\delta\varepsilon}([t_m, t_{m+N}])$ by using the code $c(g)$ of the function, powers of integers and combinatorial

$$\begin{aligned}
& -8^0 + 7^0 + 6^0 - 5^0 + 4^0 - 3^0 - 2^0 + 1^0 = 0, \\
& +16^1 - 15^1 - 14^1 + 13^1 - 12^1 + 11^1 + 10^1 - 9^1 \\
& -8^1 + 7^1 + 6^1 - 5^1 + 4^1 - 3^1 - 2^1 + 1^1 = 0, \\
& +16^2 - 15^2 - 14^2 + 13^2 - 12^2 + 11^2 + 10^2 - 9^2 \\
& -8^2 + 7^2 + 6^2 - 5^2 + 4^2 - 3^2 - 2^2 + 1^2 = 0, \\
& +16^3 - 15^3 - 14^3 + 13^3 - 12^3 + 11^3 + 10^3 - 9^3 \\
& -8^3 + 7^3 + 6^3 - 5^3 + 4^3 - 3^3 - 2^3 + 1^3 = 0 \quad (10)
\end{aligned}$$

and the inequality (9) takes the form

$$\begin{aligned}
& +16^4 - 15^4 - 14^4 + 13^4 - 12^4 + 11^4 + 10^4 - 9^4 \\
& -8^4 + 7^4 + 6^4 - 5^4 + 4^4 - 3^4 - 2^4 + 1^4 \neq 0, \quad (11)
\end{aligned}$$

where a common factor 2 originated from the space-time variables $\Delta x_i = x'_i - x_i, i = 1, \dots, 16$ is taken of site. We can observe that the correlations are expressed by the signs, which collectively turn the sums in (10) to be 0. It is worth remarking that the process of calculations in (10) and (11) and its result are completely determined by arithmetic.

An integer relation of (10) may in fact consist of a number of prime integer relations. Prime integers relations may be not directly seen in (10), but can be identified when the powers are selected and tested in a proper way. For example, when the powers are treated from the left to the right, we can find that the first integer relation includes eight prime integer relations

$$\begin{aligned}
& +16^0 - 15^0 = 0, \quad -14^0 + 13^0 = 0, \\
& -12^0 + 11^0 = 0, \quad +10^0 - 9^0 = 0, \quad -8^0 + 7^0 = 0, \\
& +6^0 - 5^0 = 0, \quad +4^0 - 3^0 = 0, \quad -2^0 + 1^0 = 0. \quad (12)
\end{aligned}$$

The second integer relation - four prime integer relations

$$\begin{aligned}
& +16^1 - 15^1 - 14^1 + 13^1 = 0, \quad -12^1 + 11^1 + 10^1 - 9^1 = 0, \\
& -8^1 + 7^1 + 6^1 - 5^1 = 0, \quad +4^1 - 3^1 - 2^1 + 1^1 = 0. \quad (13)
\end{aligned}$$

The third integer relation - two prime integer relations

$$\begin{aligned}
& +16^2 - 15^2 - 14^2 + 13^2 - 12^2 + 11^2 + 10^2 - 9^2 = 0, \\
& -8^2 + 7^2 + 6^2 - 5^2 + 4^2 - 3^2 - 2^2 + 1^2 = 0. \quad (14)
\end{aligned}$$

The fourth integer relation is a prime integer relation by itself

$$\begin{aligned}
& +16^3 - 15^3 - 14^3 + 13^3 - 12^3 + 11^3 + 10^3 - 9^3 \\
& -8^3 + 7^3 + 6^3 - 5^3 + 4^3 - 3^3 - 2^3 + 1^3 = 0. \quad (15)
\end{aligned}$$

The prime integer relations can be defined as the elements of a hierarchical structure. The prime integer relations (12) can be defined as the elements of the first level, the prime integer relations (13) - as the elements of the second level, the prime integer relations (14) - as the elements of the third level and the prime integer relation (15) - as the element of the fourth level.

The reason for this hierarchical organization of the prime integer relations is the existence of certain relationships between them. In the hierarchical structure these relationships become the relationships between the elements of neighboring levels. Furthermore, the hierarchical structure may be interpreted in terms of a formation process of the prime integer

relations. Namely, it is considered that the relationships between a prime integer relation of one level and prime integer relations of the lower level exist as a result of the "formation" of the prime integer relation from the prime integer relations.

The formations of the prime integer relations are based on the same organizing principle. For example, the prime integer relation

$$+16^2 - 15^2 - 14^2 + 13^2 - 12^2 + 11^2 + 10^2 - 9^2 = 0 \quad (16)$$

as an element of the second level can be formed from the prime integer relations

$$+16^1 - 15^1 - 14^1 + 13^1 = 0, \quad -12^1 + 11^1 + 10^1 - 9^1 = 0 \quad (17)$$

as elements of the first level by using the organizing principle:

- in the left sides of the prime integer relations (17) increase the power of each integer by one

$$+16^2 - 15^2 - 14^2 + 13^2, \quad -12^2 + 11^2 + 10^2 - 9^2, \quad (18)$$

- combine the results (18) together

$$+16^2 - 15^2 - 14^2 + 13^2 - 12^2 + 11^2 + 10^2 - 9^2. \quad (19)$$

The sum of (19) equals zero. Thus, we obtain the prime integer relation (16) from the prime integer relations (17) as the result of the above "formation". It is worth noting that the formation of the prime integer relations (17), i.e., the prime integer relation (16), is more than their simple sum.

We have a coherent description of the hierarchical structure and the formation process with integers

$$16, 15, 14, 13, 12, 11, 10, 9, 8, 7, 6, 5, 4, 3, 2, 1 \quad (20)$$

as elementary building blocks. This requires two additional levels below the four levels of the hierarchical structure (see Figure 4). However, the elements of these two additional levels can be defined in a consistent way with the elements on the other levels. The first additional level may be thought as a "resource" of integers (20) that can "generate" them in "positive" and "negative" states on the second additional level. In the example integers are generated on the level, called the zero level of the structure, in the following states

$$\begin{aligned}
& +16, -15, -14, +13, -12, +11, +10, -9, \\
& -8, +7, +6, -5, +4, -3, -2, +1.
\end{aligned}$$

The elements of the zero level combine in pairs and form the elements of the first level. Then the formation process proceeds level by level as shown by edges in Figure 4. Notice, that the formation of prime integer relations is more than their simple sum. From Figure 4 we can see that the system of integer relations (10) does not give us much information about the hierarchical structure.

It seems like the formation process has the purpose to progress as higher as possible. As we consider in Figure 4 the process is capable to develop to level 4, but cannot reach level 5 because arithmetic determines that the left side of (11) cannot be made zero.

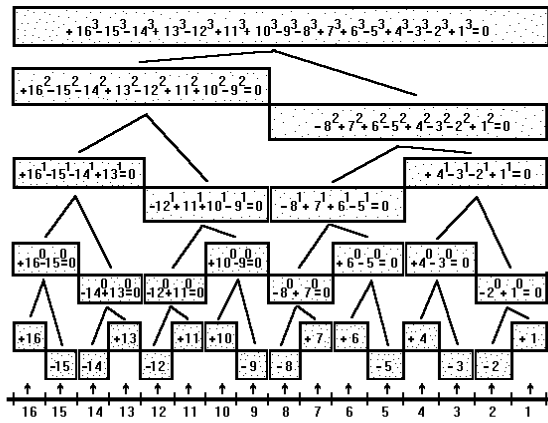


Figure 4. A hierarchical structure of prime integer relations corresponding to the system of integer relations (10) and the inequality (11). The structure may be interpreted in terms of a formation process of the prime integer relations. The formation process starts as integers 16, 13, 11, 10, 7, 6, 4, 1 are “generated” in the “positive” state and integers 15, 14, 12, 9, 8, 5, 3, 2 are “generated” in the “negative” state on the zero level. Then the process goes as arithmetic, through a single organizing principle, manipulates the prime integer relations of one level to form the prime integer relations of the higher level. The formation process cannot progress to level 5, because of (11).

5 The Formation Processes in the Build up of the Correlation Structures

In section 4 the system of linear equations (6) and the inequality (7) helped to consider formation processes of integer relations. However, the role of the formation processes for the correlations has not been properly discussed. In this section we present that the formation processes of integer relations build up the correlation structures of physical systems and determine their properties [5], [6]. For example, a formation process of prime integer relations results in a correlation structure, where parts of a physical system are embedded within larger parts.

Formation processes associated with the system of linear equations (6) and the inequality (7) are responsible for the whole structure of the correlations (2) [4]. A part of a physical system may be involved in a number of formation processes and as a result could be included in different elements of the correlation structure. The integer relations play an important role for the correlation structures as they give a representation of the structures and define the correlations.

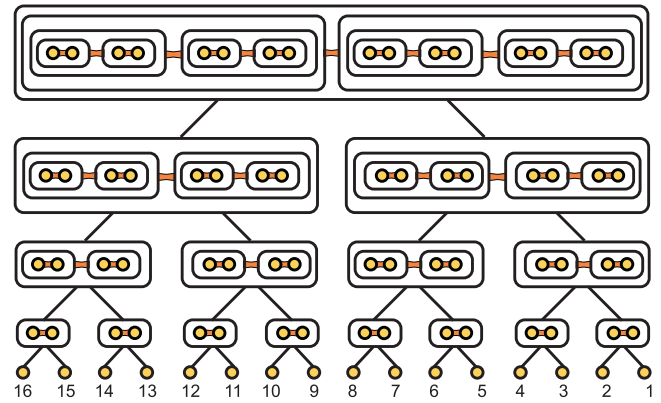


Figure 5. The figure shows how the formation process of prime integer relations described in Figure 4 builds up a correlation structure. The relationship between parts, denoted by an edge, means that the parts are correlated through a prime integer relation. The embedded order of the correlation structure is clearly seen. It is instructive to compare the figure with Figure 4 to see that the form of integer relation is not well suited to give information about the correlation structures.

We illustrate the results by using the formation process described in the previous section. Consider the prime integer relation $+4^0 - 3^0 = 0$. It stands in (8) as

$$+2 \times 4^0 - 2 \times 3^0 = \Delta x_4 4^0 + \Delta x_3 3^0 = 0 \quad (21)$$

and shows that the elementary parts 4 and 3 have a relationship, because their space-time changes $\Delta x_4, \Delta x_3$ are correlated

$$\Delta x_4 4^0 = -\Delta x_3 3^0. \quad (22)$$

Therefore, the elementary parts 4 and 3 can be seen as the components of a composite part, denoted by $(4 \leftrightarrow 3)$. The integer relation (21) describes the composite part by telling that it is made of the elementary parts 4 and 3 and they are connected by the correlation (22). Figuratively, the integer relation (21) may seem like a carrier of the “force” of arithmetic that combines the elementary parts 4 and 3 together in the part $(4 \leftrightarrow 3)$.

The integers 4 and 3 play a number of roles in the integer relation (21). They label the dynamics Δx_4 and Δx_3 of the elementary parts 4 and 3 and provide the correlation between them. The correlation through the integer relation (21) does not involve any physical signals. But if the dynamics Δx_4 of the elementary part 4 is specified, then the dynamics Δx_3 of the elementary part 3 is immediately determined as well and vice versa. The composite part $(4 \leftrightarrow 3)$ is schematically represented in Figure 5 by an oval rectangular. It contains two vertices to depict the elementary parts 4 and 3 and an edge between the vertices to indicate the correlation (22). Similarly, the prime integer relation $-2^0 + 1^0 = 0$ describes a composite part $(2 \leftrightarrow 1)$ made of the elementary parts 2 and 1 and the correlation between them

$$\Delta x_2 2^0 = -\Delta x_1 1^0.$$

Let consider the fact that the prime integer relation

$$+4^1 - 3^1 - 2^1 + 1^1 = 0 \quad (23)$$

is formed from the prime integer relations $+4^0 - 3^0 = 0$ and $-2^0 + 1^0 = 0$. Using the integer relation (23) as it stands in (8)

$$(\Delta x_4 4^1 + \Delta x_3 3^1) + (\Delta x_2 2^1 + \Delta x_1 1^1) = 0 \quad (24)$$

we can see that the two composite parts $(4 \leftrightarrow 3)$ and $(2 \leftrightarrow 1)$ have a relationship because of the correlation

$$(\Delta x_4 4^1 + \Delta x_3 3^1) = -(\Delta x_2 2^1 + \Delta x_1 1^1). \quad (25)$$

From the integer relation (25) it follows that the dynamics of the composite part $(4 \leftrightarrow 3)$ is correlated with the dynamics of the composite part $(2 \leftrightarrow 1)$. We may say that the composite parts $(4 \leftrightarrow 3)$ and $(2 \leftrightarrow 1)$ are held together by the “force” of arithmetic exercised through the integer relation (24). Thus, the composite parts $(4 \leftrightarrow 3)$ and $(2 \leftrightarrow 1)$ can be viewed as the components of an even more complex composite part of the physical system, denoted by

$$((4 \leftrightarrow 3) \leftrightarrow (2 \leftrightarrow 1)). \quad (26)$$

The composite part (26) is schematically depicted in Fig. 5 by the right oval rectangular on the second level. The elementary parts 4, 3, 2 and 1 are connected by the correlations according to an order of parts within parts. Due to the connections the specification of the dynamics of any elementary part immediately determines the dynamics of the other parts.

In general, the formation process starts with the elementary parts 16, 15, ..., 1 and combine them in pairs to make composite parts, which in their turn also combine in pairs to make even more complex composite parts and so on until the correlation structure is built (see Fig. 5). The relationship between parts, denoted by an edge, means that the changes of the parts are correlated through a prime integer relation.

To characterize the correlation structure in Figure 5 we may compare it with a “particle”, which is made of two correlated “particles”, which in their turn are also made of two correlated “particles” and so on, until the elementary parts are eventually found. As we view in Figure 4 all the “particles” are connected by the “force” of arithmetic.

6 The Formation Processes as an Irreducible Theory

In sections 4 and 5 we described the formation processes of integer relations. An important distinction of these processes is that they are *irreducible*. This property comes because the formation processes are based on the integers and completely controlled by arithmetic. In particular, integer relations can form another integer relations only if arithmetic equates corresponding expressions to zero and they cannot do that if it does not.

The formation processes organize the integer relations into a hierarchical network structure, where the integer relations seem interconnected, interdependent and inseparable elements. Each integer relation is a statement, whose truth is completely determined by arithmetic. Thus, the irreducibility of the formation processes is based on the fact that the

integer relations, for example such as $3^2 + 4^2 - 5^2 = 0$ and $2 + 4 - 5 \neq 0$, are ultimate truths and cannot be further explained.

The formation processes are suggested as a conceptual tool in order to interpret the relationships between the integer relations. Yet in this form the integer relations behave in such a way that it becomes more convenient to think about them as “particles”. The term “particle” helps to see the integers and the integer relations not as objects of calculation, but as objects of formation with specific properties:

- The integer relations are formed from the integers. The integer relations of the first level are formed as prime integer relations. From the reverse perspective, an integer relation can be broken down into integer relations of the lower level, where the integer relations in their turn can be further broken down unless they are integers.

- Integer relations combine and form integer relations according to a single organizing principle. An integer relation is more than the simple sum of the integer relations it is formed of.

- An integer relation may participate in various formation processes and as a result be involved in different integer relations of higher levels.

- The integer relations do not stand alone by themselves, but due to the formation processes they are interconnected, interdependent and inseparable in one hierarchical network structure. It seems that not a minor change can be made to any element of the structure.

- The formation processes start with different integers and as a result are capable to progress to different levels. This produces a complexity order in the formation processes and a sense that a formation process may have the aim to reach the level as higher as possible.

7 Geometrization of the Integer Relations

In section 6 we discussed that in the formation processes the integer relations may be conveniently thought as some sort of “particles” transforming into each other. This intuitively pictures the formation processes more as a new resource similar to physical ones, rather than respects that they are formal constructs defined by the system of linear equations (6) and the inequality (7). However, integers and integer relations are known as abstract entities in the first place. They are not familiar as geometric objects suitable for observation and measurement.

Remarkably, it is possible to geometrize the integer relations as two-dimensional patterns and describe the formation processes of integer relations in terms of their geometric transformations [4]. This makes the theory of formation processes geometrical and quantitative. Furthermore, the geometrization visualizes the integer relations and their formations [4].

In particular, the areas of the geometric patterns can be used to describe quantitatively the formation process of integer relations and the strengths of the correlations in particular. As a result the integer relations produce a wide variety of

numbers and suggest to consider whether their pattern may arise in experimental data.

We distinguish the PTM sequence, because it produces formation processes of integer relations progressing well through the levels of the hierarchy [4]. The area of a geometric pattern corresponding to an integer relation generated by the PTM sequence at level \mathcal{N} of the hierarchy is given by $2^{\frac{\mathcal{N}(\mathcal{N}-1)}{2}} \varepsilon^{\mathcal{N}} \delta$, while the length - by $2^{\mathcal{N}} \varepsilon$. This allows us to control the area's growth by renormalization of length scales through levels. For instance, a level, where the area of the geometric pattern would equal its length, so that a renormalization of unit conditions $\delta = 1$ and $\varepsilon = 1$ may be possible, can be found from $2^{\frac{\mathcal{N}(\mathcal{N}-1)}{2}} = 2^{\mathcal{N}}$. This gives $\mathcal{N} = 3$.

8 Conclusions

In general, an irreducible theory that describes physical systems in terms of formation processes of integer relations is presented. It is suggested that properties of the formation processes may be used as irreducible guides in the search for a unified theory. Moreover, through the irreducibility of the formation processes it seems that a unified theory may look like:

- A unified theory may be based on a discrete hierarchical structure in the first place and not on a master equation formulated in space-time.

- The fundamental building blocks of a unified theory may exist. The other elements of the structure may be built from them by an organizing principle. This sets the relationships between the elements and makes them interconnected, interdependent and inseparable within one whole.

- The elements of a unified theory may be represented both arithmetically and geometrically.

- A unified theory may be formulated in geometrical terms as two-dimensional.

- The elements of a unified theory may provide nonlocal, instantaneous and inseparable correlations in space-time.

- A unified theory may have a complexity order and its properties may be interpreted with the purpose to progress in the direction of this order.

- The elements of a unified theory may be quantified and generate a pattern of numbers interrelated with each other.

Acknowledgments

I would like to thank Galina Korotkikh for useful discussions and comments. This work was supported by CQU Research Advancement Awards Scheme grant no. IN9022.

References

- [1] S. Weinberg *Dreams of a Final Theory* (Pantheon, New York, 1992).
- [2] M.B. Green, J.H. Schwarz and E. Witten, *Superstring Theory* (Cambridge University, Cambridge, 1987).
- [3] L. Smolin, *Three Roads to Quantum Gravity* (Basic Books, 2001).
- [4] V. Korotkikh, *A Mathematical Structure for Emergent Computation* (Kluwer, Dordrecht, 1999).
- [5] G. Korotkikh and V. Korotkikh, in: *Optimization and Industry: New Frontiers*, ed. by P. Pardalos and V. Korotkikh (Kluwer, Dordrecht, 2003).
- [6] V. Korotkikh, in: *Fuzzy Partial Differential Equations and Relational Equations*, ed. by M. Nikravesh, L. Zadeh and V. Korotkikh (Springer, Berlin, 2004).
- [7] V. Korotkikh, *Integer Code Series with Some Applications in Dynamical Systems and Complexity* (Computing Centre of RAS, Moscow, 1993).